

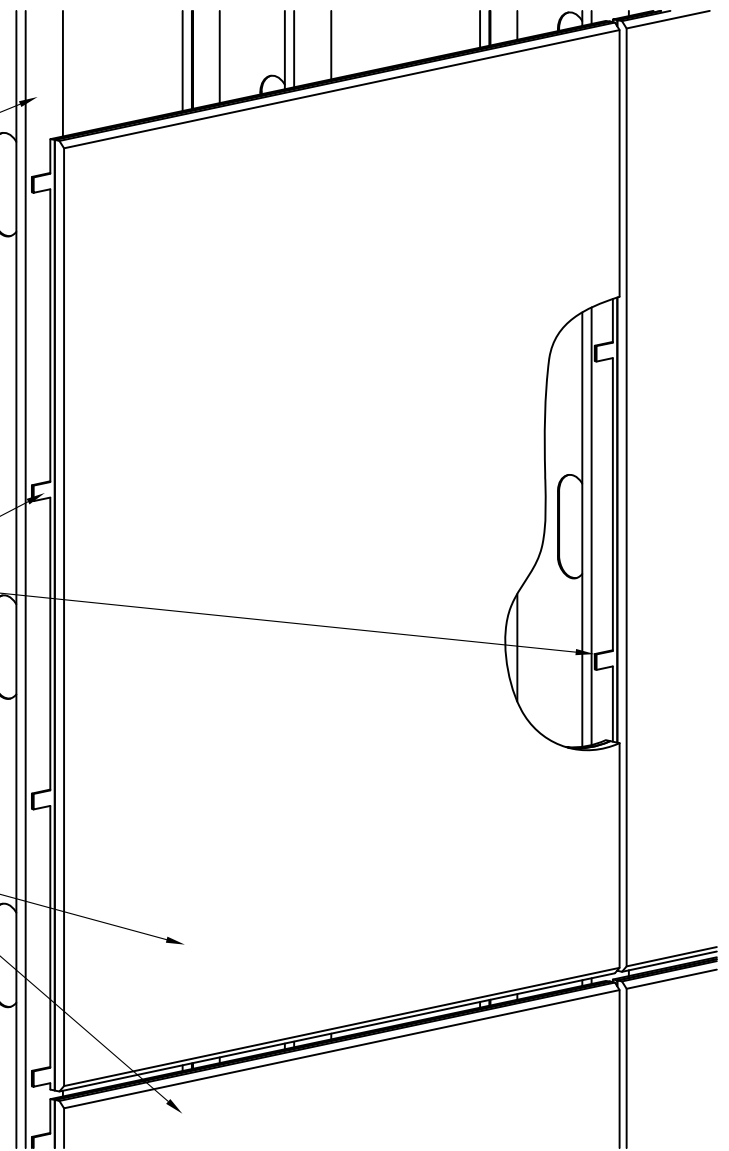
ANCHOR PLATE SYSTEM

BUILDING WALL ASSEMBLY

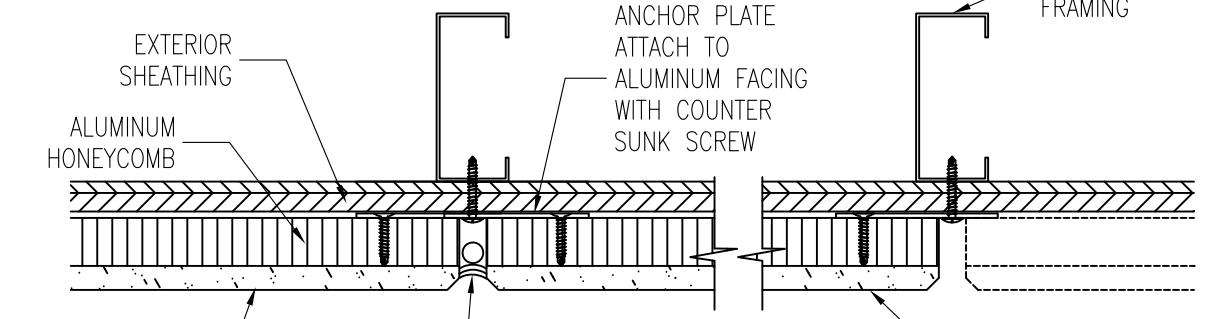
SET IN SHOP ANCHOR PLATE

StonePly PANELS

STUD FRAMING



D1 ANCHOR PLATE SYSTEM NTS



D2 WALL SECTION DETAIL NTS

StonePly PANELS

StonePly Inc.

4400 Oneal St., Greenville, TX 75401 (903) 454-4630 FAX (903) 454-3642
www.stoneply.com

TITLE: ANCHOR PLATE ATTACH SYSTEM

FILE NUMBER: **AGD2**