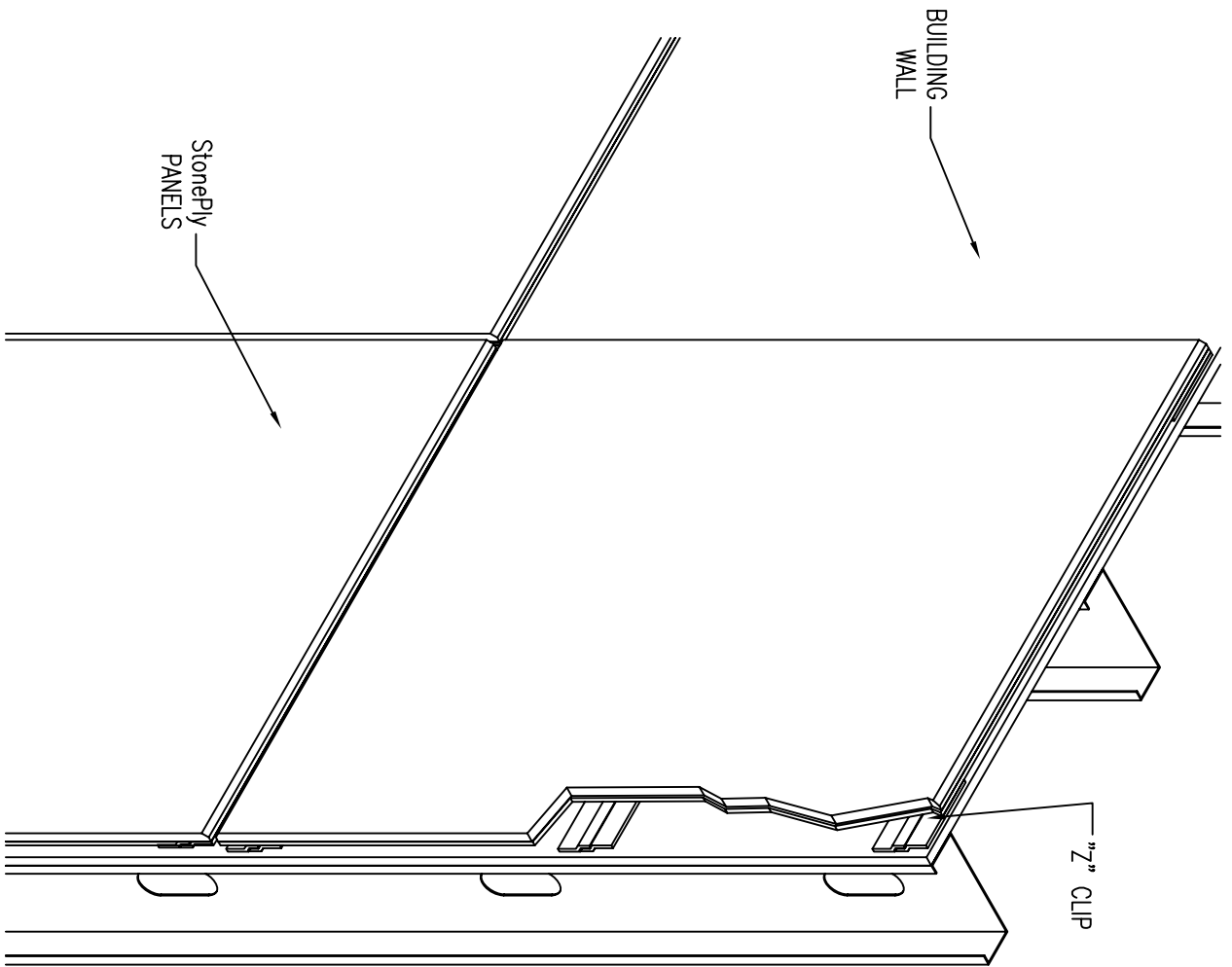


"Z" CLIP SYSTEM



D3 "Z" CLIP ATTACH DETAIL
NTS



StonePly Inc.
4400 Oneal St., Greenville, TX, 75401 (903) 454-0904 FAX (903) 454-3642
www.stoneply.com

TITLE: "Z" CLIP ATTACH SYSTEM
FILE NUMBER: AGD3