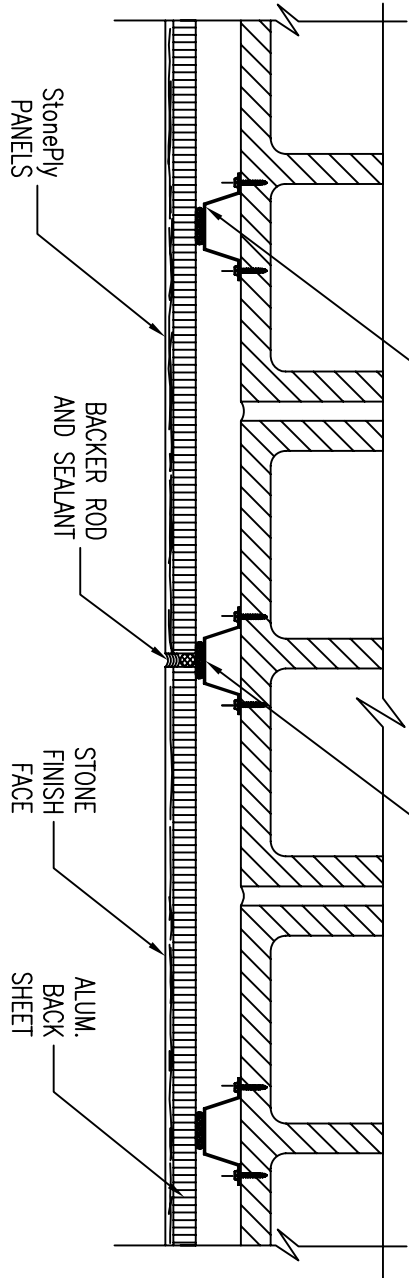
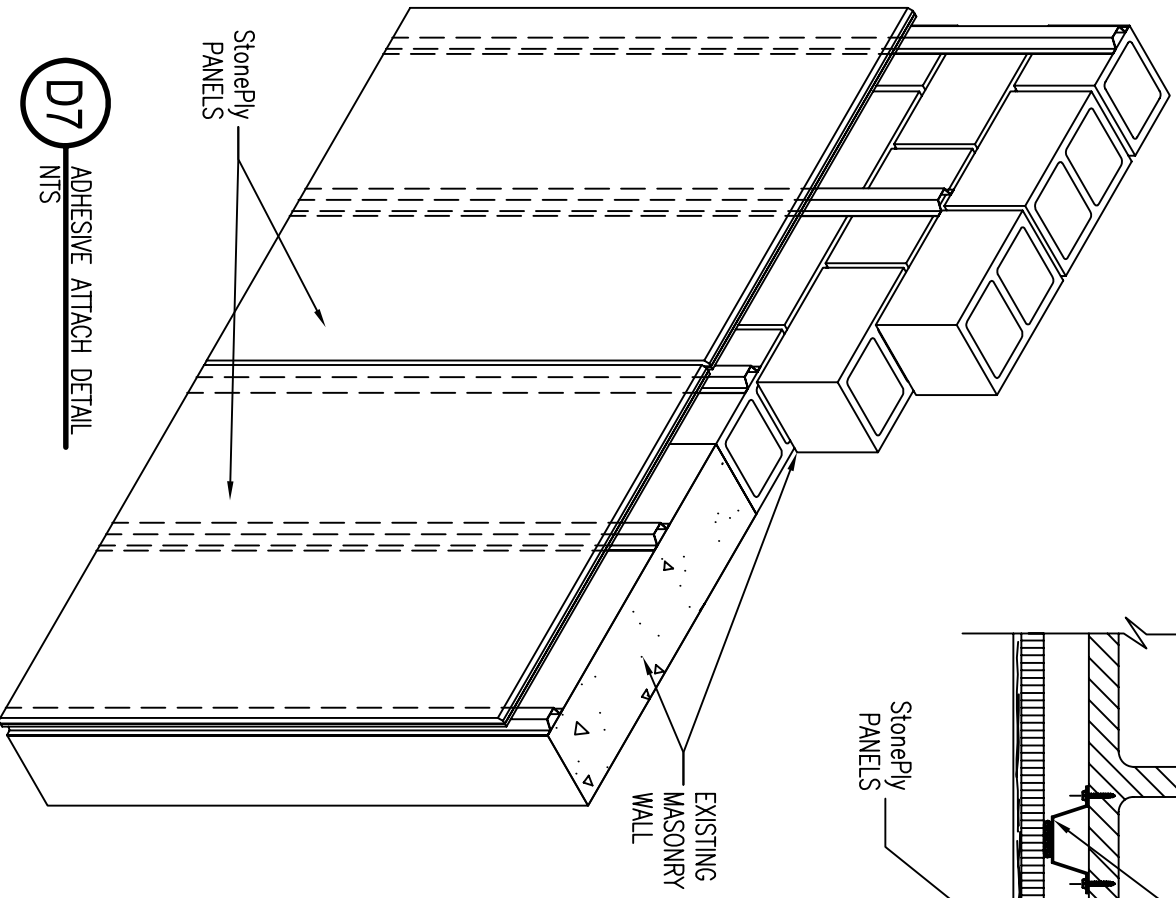


CALVANIZED STEEL
FURRING WITH TAPCON
AS REQUIRED AT WALL

SEE AGD1, AGD2, AGD3, AGD4
FOR ATTACHMENT SYSTEMS



D7 NTS
WALL SECTION DETAIL



D7 NTS
ADHESIVE ATTACH DETAIL



StonePly Inc.
4400 Oneal St., Greenville, TX, 75401 (903) 454-0904 FAX (903) 454-3642
www.stoneply.com

TITLE: ATTACHMENT SYSTEM ON FURRING OVER MASONRY
FILE NUMBER: AGD7