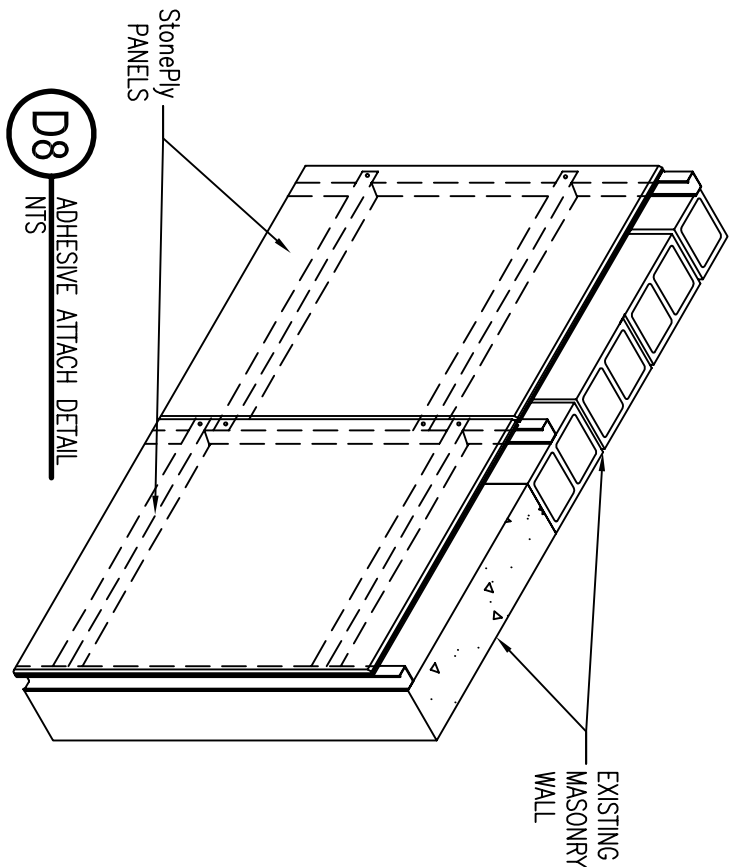
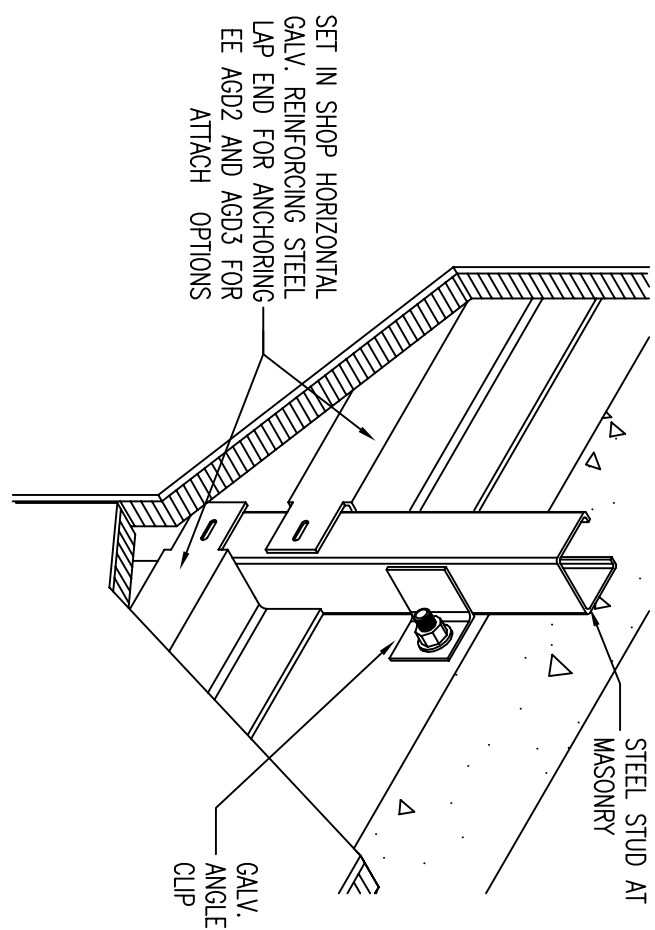


D8 WALL SECTION DETAIL
NTS



D8 ADHESIVE ATTACH DETAIL
NTS



4400 Oneal St., Greenville, TX 75401 (903) 454-0904 FAX (903) 454-3642
www.stoneply.com

StonePly Inc.

TITLE: ATTACHMENT SYSTEM ON FURRING OVER MASONRY
FILE NUMBER: **AGD8**