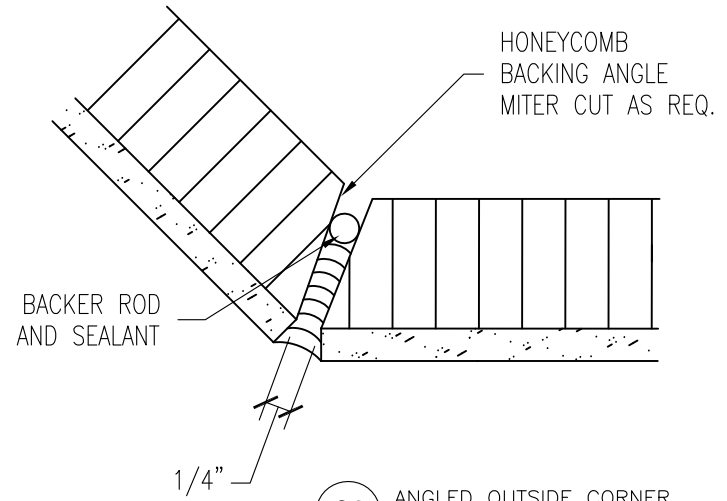
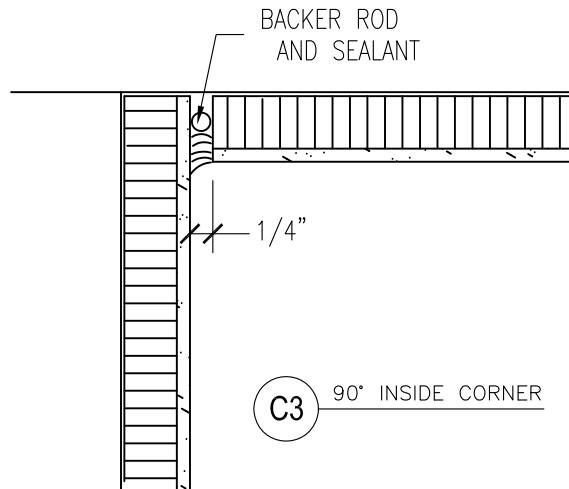


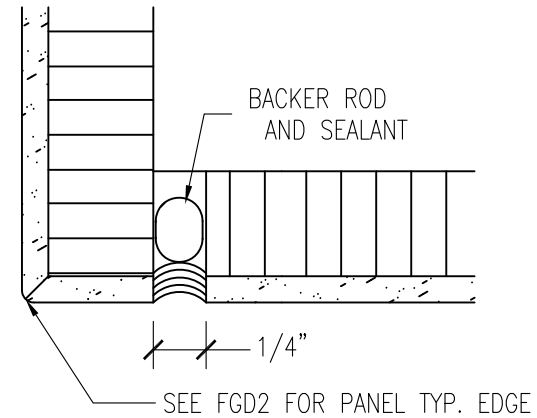
C1 90° OUTSIDE CORNER
QUIRK MITERED PANEL



C2 ANGLED OUTSIDE CORNER
QUIRK MITERED PANEL



C3 90° INSIDE CORNER



C4 FINISHED EDGE PANEL CORNER

StonePly Inc.

4400 Oneal St., Greenville, TX 75401 (903) 454-4630 FAX (903) 454-3642
www.stoneply.com

TITLE: STONE PANELS TYPICAL CORNER

FILE NUMBER: **FCD1**