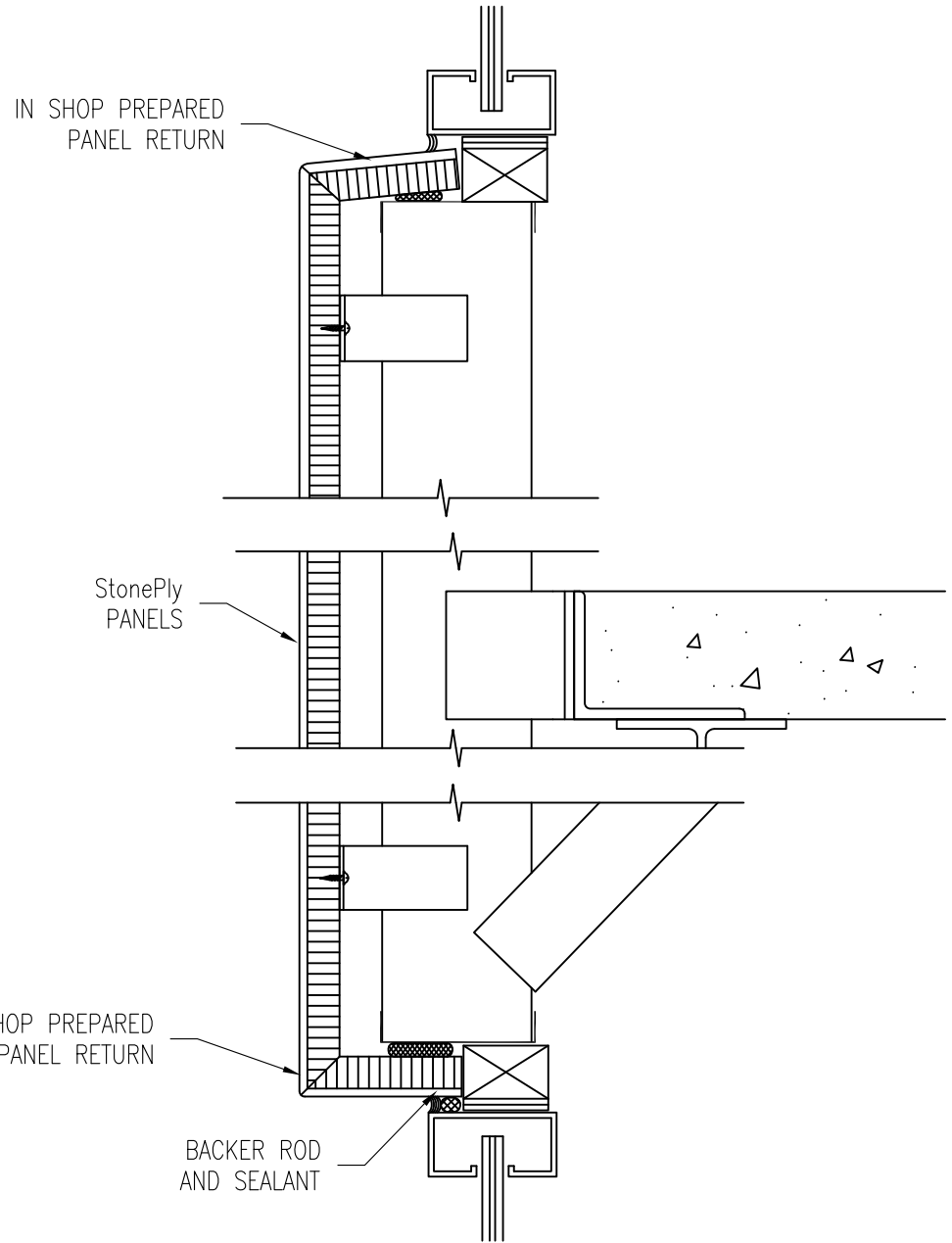


FC3A

SPANDREL FIELD CONDITION



FC3B

SILL FIELD CONDITION

**StonePly Inc.**

4400 Oneal St., Greenville, TX 75401 (903) 454-4630 FAX (903) 454-3642  
www.stoneply.com

TITLE: PREPANELIZED SPANDREL AND SILL CONDITION

FILE NUMBER: **FCD3**