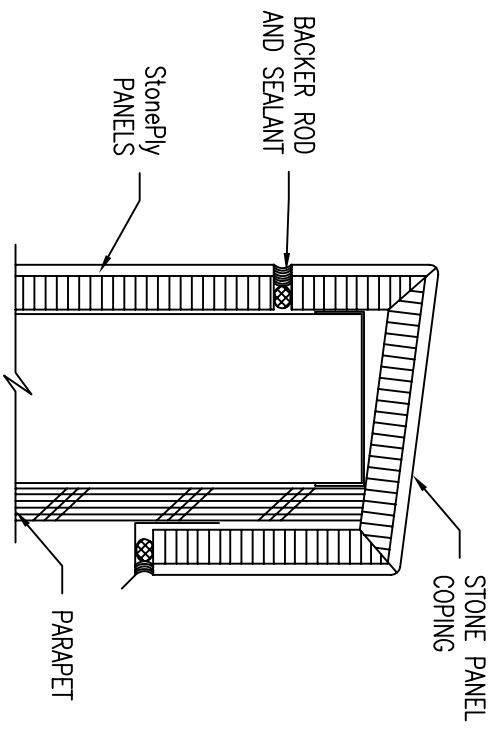


FC4 **PARAPET WITH COPING CONDITION**



FC4 **PARAPET CONDITION**



StonePly Inc.
 4400 Oneal St., Greenville, TX, 75401 (903) 454-0904 FAX (903) 454-3642
 www.stoneply.com

TITLE: PARAPET CONDITION
 FILE NUMBER: FCD4